

PLEASE CHECK WWW.MOLEX.COM FOR LATEST PART INFORMATION

Part Number: **0439382204**
Status: **Active**
Overview: minifit_sr
Description: 10.00mm (.393") Pitch Mini-Fit Sr.™ Plug Housing, Dual Row, Panel Mount, 12 Circuits

Documents:

[3D Model](#) [Product Specification PS-42815-001 \(PDF\)](#)
[Drawing \(PDF\)](#) [RoHS Certificate of Compliance \(PDF\)](#)

Agency Certification

| | |
|-----|-----------|
| CSA | LR19980 |
| TUV | R72081037 |
| UL | E29179 |

General

| | |
|----------------|-------------------|
| Product Family | Crimp Housings |
| Series | <u>43938</u> |
| Overview | <u>minifit_sr</u> |
| Product Name | Mini-Fit Sr.™ |

Physical

| | |
|-------------------------------|-----------------|
| Circuits (maximum) | 12 |
| Color - Resin | Black |
| Flammability | 94V-0 |
| Gender | Male |
| Glow-Wire Compliant | No |
| Material - Resin | Polyester |
| Number of Rows | 2 |
| Packaging Type | Bag |
| Panel Mount | Yes |
| Pitch - Mating Interface (in) | 0.394 In |
| Pitch - Mating Interface (mm) | 10.00 mm |
| Stackable | No |
| Temperature Range - Operating | -40°C to +105°C |

Electrical

| | |
|-------------------------------|-----|
| Current - Maximum per Contact | 50A |
|-------------------------------|-----|

Material Info

Reference - Drawing Numbers

| | |
|-------------------------|---|
| Packaging Specification | PK-45286-002 |
| Product Specification | PS-42815-001, RPS-42815-001, RPS-42815-012, RPS-42815-013, RPS-42815-015 |
| Sales Drawing | SD-43938-003 |

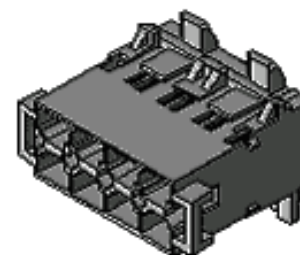


image - Reference only

Series

EU RoHS

**ELV and RoHS
Compliant**
**REACH SVHC
Contains SVHC: No**
**Halogen-Free
Status**

China RoHS



Not Halogen-Free
**Need more information on product
environmental compliance?**

Email productcompliance@molex.com
For a multiple part number RoHS Certificate of Compliance, [click here](#)

Please visit the [Contact Us](#) section for any non-product compliance questions.

Search Parts in this Series

[43938Series](#)

Mates With

[43914](#)

Use With

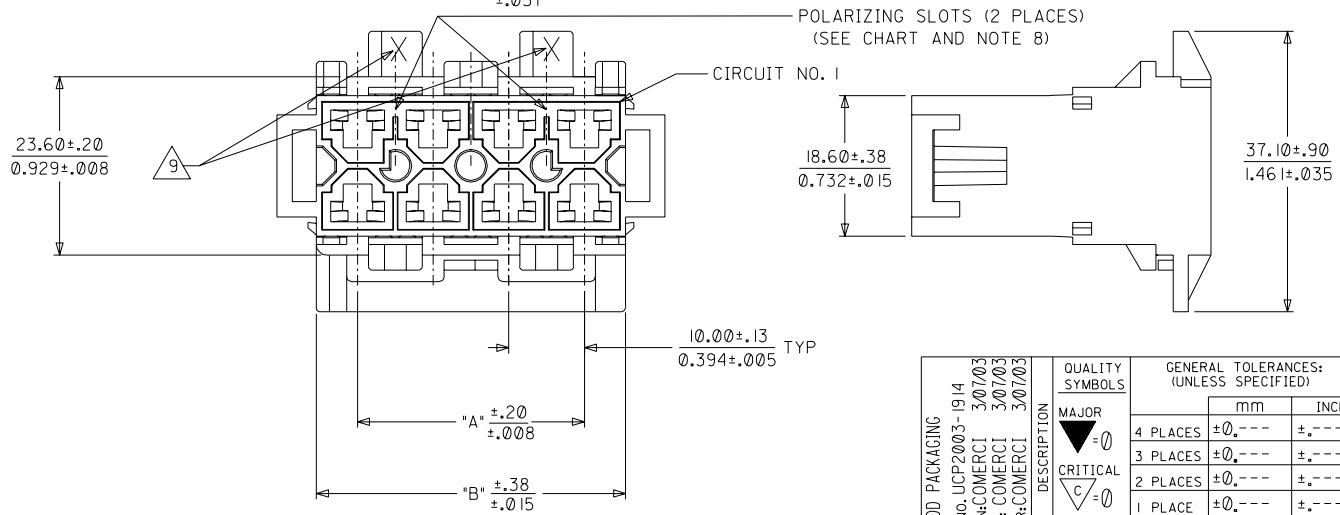
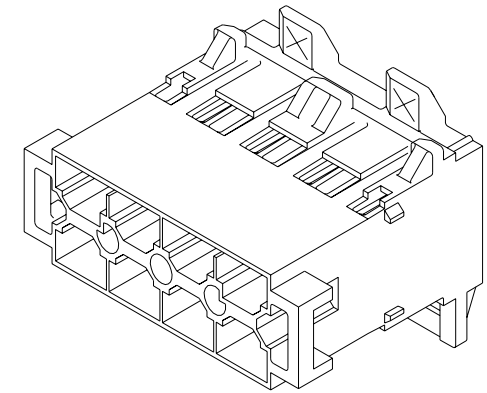
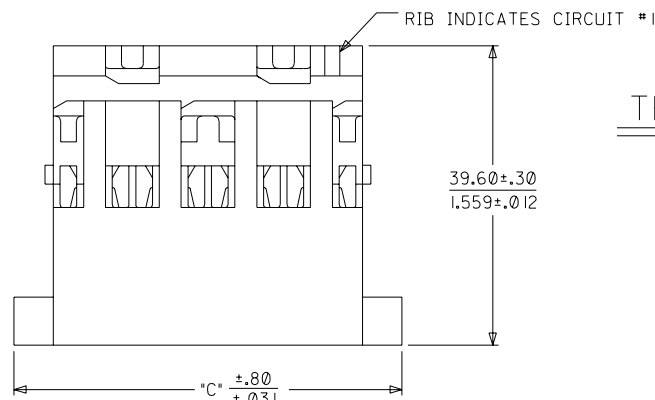
[43980-1001](#) Mini-Fit Sr.™ Dual Row TPA™

| MATERIAL NUMBER | POSITION NUMBER | DIM. "A" | DIM. "B" | DIM. "C" | QUANTITY OF POLARIZING SLOTS | PANEL THICKNESS ACCOMMODATED |
|-----------------|-----------------|----------------|----------------|----------------|------------------------------|------------------------------|
| 43938-2201 | 6 | 20.00 .787 | 30.90 1.216 | 41.30 1.626 | 1 | 1.30/1.76 .051/.069 |
| 43938-2202 | 8 | 30.00 1.181 | 40.90 1.610 | 51.30 2.020 | 2 | |
| 43938-2203 | 10 | 40.00 1.575 | 50.90 2.004 | 61.30 2.413 | 2 | |
| 43938-2204 | 12 | 50.00 1.968 | 60.90 2.398 | 71.30 2.807 | 2 | |
| 43938-2205 | 14 | 60.00 2.362 | 70.90 2.791 | 81.30 3.201 | 2 | |

NOTES:

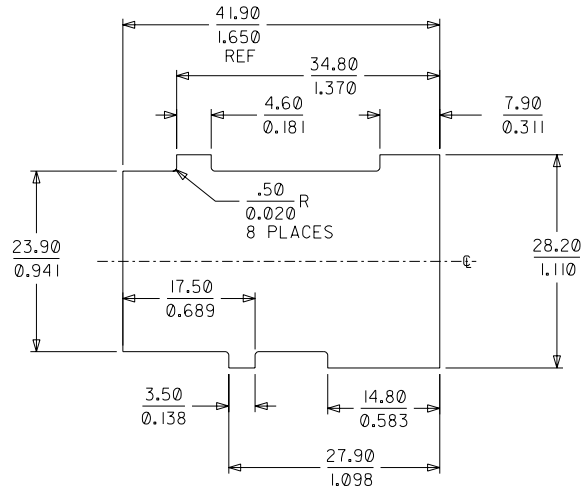
- MATERIAL: UNFILLED POLYESTER, U.L. 94V-0, COLOR: BLACK
- FINISH: NONE
- PRODUCT SPEC.: PS-42815-001
- THIS PART IS DESIGNED TO USE MALE CRIMP TERMINAL #42817.
- THIS PART IS DESIGNED TO USE T.P.A. #43980.
- THIS PART IS DESIGNED TO MATE WITH RECEPTACLE HOUSING #43914.
- SEE SHEET 2 FOR PANEL CUT-OUT DETAILS.
- POLARIZING SLOTS TO BE LOCATED BETWEEN CIRCUITS ON EITHER END OF HOUSING OF THE CIRCUIT I ROW AS SHOWN.
EXCEPTION: THE 6 CIRCUIT HOUSING WILL HAVE A SINGLE SLOT ON THE CIRCUIT I END ONLY.
- AN "X" IS ENGRAVED AS SHOWN, TO DESIGNATE THAT THE PART ACCOMMODATES A 1.30/1.76 PANEL THICKNESS.
- FOR PACKAGING INFORMATION SEE PK-43938-001.

THIS PRODUCT MUST NOT BE USED WITHOUT THE T.P.A.

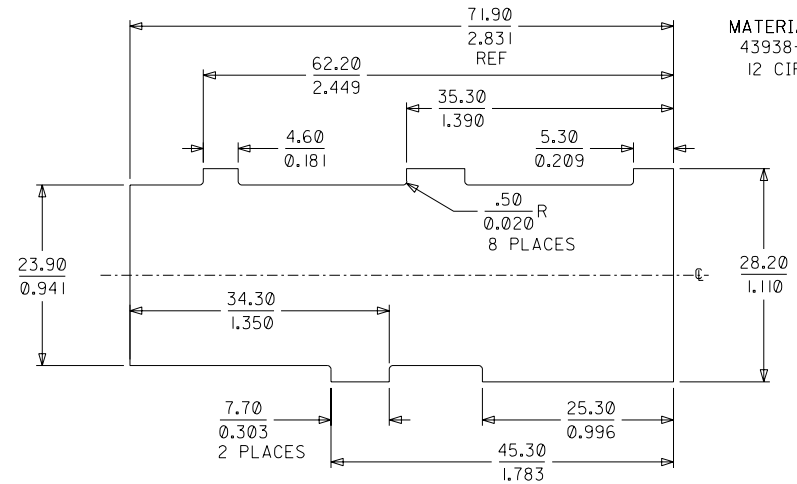


| | | | | | | |
|---|--|---|--|--|---|------------------|
| ADD PACKAGING EC NO. UCP2003-1914 DRWG: COMERC 30703 CHK: COMERC 30703 APPR: COMERC 30703 | QUALITY SYMBOLS MAJOR $\nabla=0$ CRITICAL $\nabla=0$ | GENERAL TOLERANCES: (UNLESS SPECIFIED) mm INCH 4 PLACES $\pm 0.---$ $\pm .---$ 3 PLACES $\pm 0.---$ $\pm .---$ 2 PLACES $\pm 0.---$ $\pm .---$ 1 PLACE $\pm 0.---$ $\pm .---$ | SCALE 2 : 1 DESIGN UNITS <input checked="" type="checkbox"/> mm <input type="checkbox"/> INCH | DRAWN BY & DATE COMERC 99/12/06 CHECKED BY & DATE COMERC 99/12/06 APPROVED BY & DATE COMERC 99/12/06 | DIMENSIONS: <input checked="" type="checkbox"/> mm <input type="checkbox"/> INCH <input type="checkbox"/> mm ONLY SHT REV I AI REVISE ON CAD ONLY | |
| | DESCRIPTION TITLE: DUAL ROW PANEL MT. PLUG, FOR THIN PANELS MINI-FIT SR. SERIES | MOLEX INCORPORATED | | CAD FILENAME | MATERIAL NO. SEE CHART DRAWING NO. SD-43938-003 | SHEET NO. 1 OF 2 |
| | REV AI | DRAFT WHERE APPLICABLE MUST REMAIN WITHIN DIMENSIONS | | THIS DRAWING CONTAINS INFORMATION THAT IS PROPRIETARY TO MOLEX INCORPORATED AND SHOULD NOT BE USED WITHOUT WRITTEN PERMISSION. | | |
| | ANGLUAR: $\pm --^{\circ}$ | | | | | |

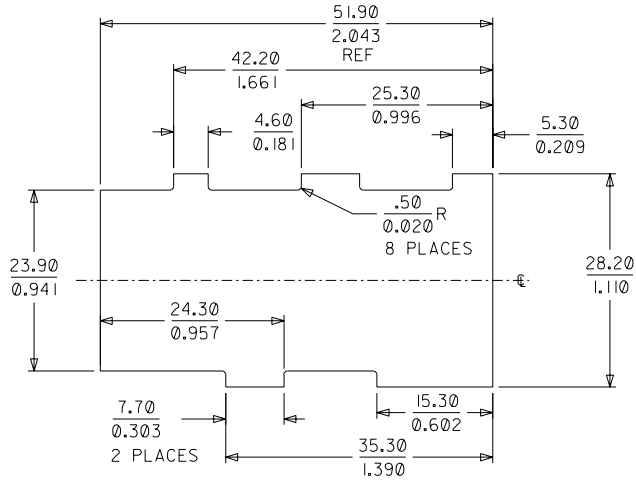
MATERIAL NO.:
43938-2201
6 CIRCUIT



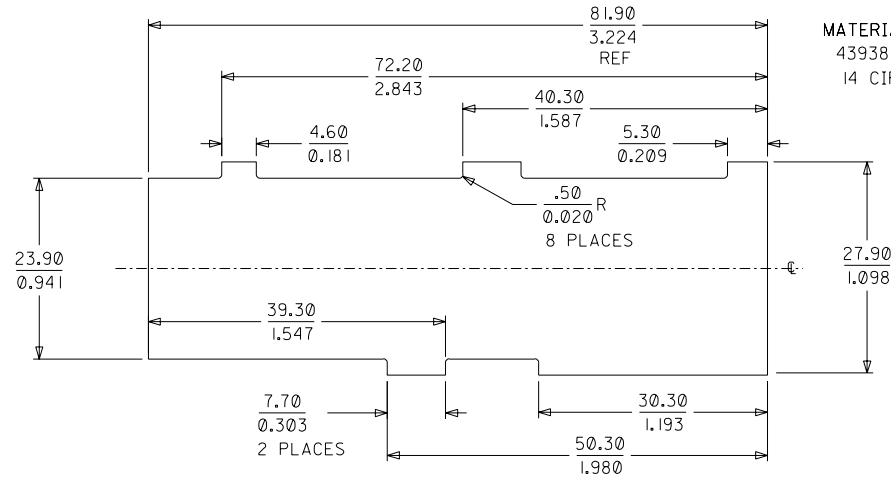
MATERIAL NO.:
43938-2204
12 CIRCUIT



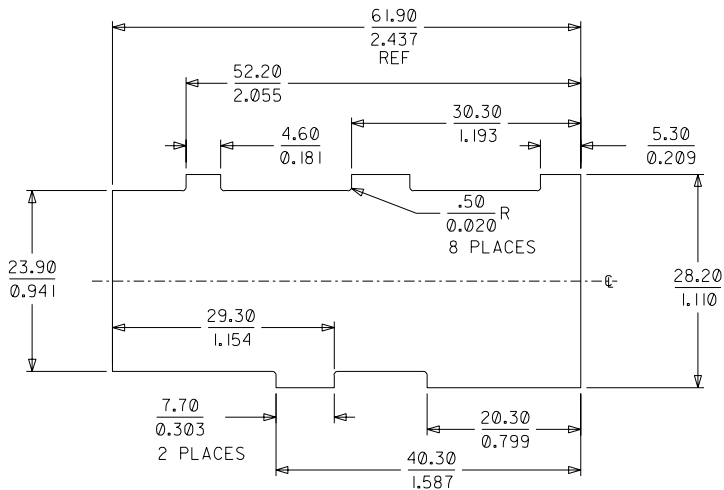
MATERIAL NO.:
43938-1102
43938-2202
8 CIRCUIT



MATERIAL NO.:
43938-2205
14 CIRCUIT



MATERIAL NO.:
43938-2203
10 CIRCUIT



PANEL OPENINGS SHOWN FROM OUTSIDE OF BOX.
SEE CHART FOR PANEL THICKNESS.

| | | | | | | | | |
|---|----------------------------------|-----------------------|--|--------------------------------------|--|--|-----------------------------|----------------|
| SEE SHEET 1 EC NO. UCP2003-1914 DRAWING: COMERC 300703 CHK: COMERC 300703 APPR: COMERC 300703 | DESCRIPTION MAJOR CRITICAL | QUALITY SYMBOLS | GENERAL TOLERANCES: (UNLESS SPECIFIED) | SCALE 2 : 1 | DESIGN UNITS <input checked="" type="checkbox"/> mm <input type="checkbox"/> INCH | DIMENSIONS: <input checked="" type="checkbox"/> mm <input type="checkbox"/> INCH <input type="checkbox"/> mm ONLY | SHT | REV |
| | | MAJOR CRITICAL | mm INCH | DRAWN BY & DATE COMERC 99/12/06 | THIRD ANGLE PROJECTION | TITLE: DUAL ROW PANEL MT. PLUG, FOR THIN PANELS MINI-FIT SR. SERIES | REVISE ON CAD ONLY | |
| AI | REV | 4 PLACES ±0.--- ±.--- | 3 PLACES ±0.--- ±.004 | CHECKED BY & DATE COMERC 99/12/06 | APPROVED BY & DATE COMERC 99/12/06 | MATERIAL NO. SEE CHART | DRAWING NO. SD-43938-003 | SHEET NO. 2 |
| | | 2 PLACES ±0.10 ±.--- | 1 PLACE ±0.--- ±.--- | CAD FILENAME | THIS DRAWING CONTAINS INFORMATION THAT IS PROPRIETARY TO MOLEX INCORPORATED AND SHOULD NOT BE USED WITHOUT WRITTEN PERMISSION. | | | |